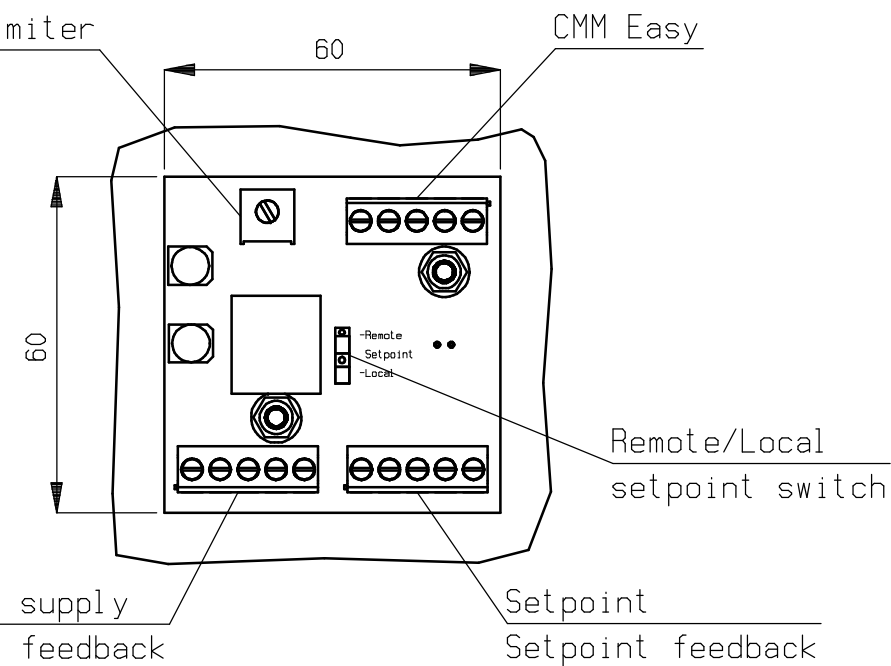
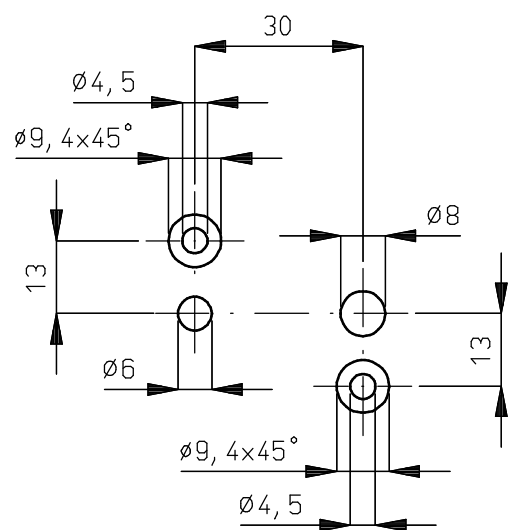


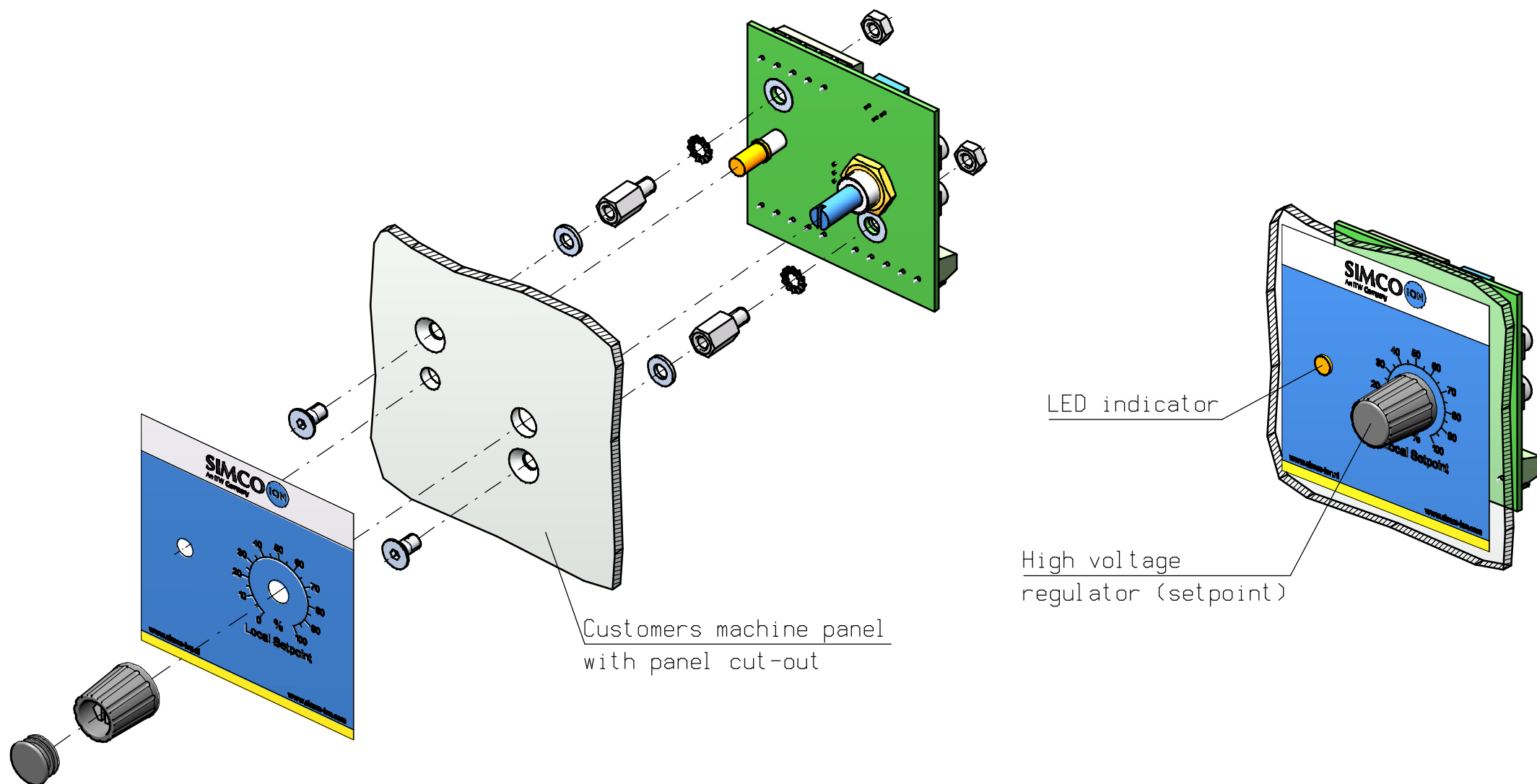
Setpoint limiter  
10-18 kV



Panel cut-out



Outside view  
Max. panel thickness 5 mm



LED indicator

High voltage  
regulator (setpoint)

Customers machine panel  
with panel cut-out

		Name: External Control Kit CMM Easy				Drawn: AB	Part no.: —
www.simco-ion.nl	Tel: +31 (0)573 288333	CAD generated NOT updated	Dimensions in mm	Date: 20-9-2012	A3 M: —	ECN-	Check: BWB
						Dwg. no.: 09850200	